

# Product data sheet

## Characteristics

# TM3DQ16UK

Discrete output module, Modicon TM3, 16 outputs transistor NPN (HE10)



Product availability: Non-Stock - Not normally stocked in distribution facility

Price\*: 119.00 USD



### Main

Range of product	Modicon TM3
Product or Component Type	Discrete output module
Range Compatibility	Modicon M241 Modicon M251 Modicon M221 Modicon M262
Discrete output type	Transistor
Discrete output logic	Negative logic (sink)

### Complementary

Discrete I/O number	16
Marking	CE
Height	3.54 In (90 mm)
Depth	3.20 In (81.3 mm)
Width	0.84 In (21.4 mm)
Product Weight	0.24 Lb(US) (0.111 kg)

### Environment

Standards	EN/IEC 61131-2 EN/IEC 61010-2-201
Product Certifications	C-tick cULus
Ambient Air Temperature for Storage	-13...158 °F (-25...70 °C)
Pollution degree	2
Operating altitude	0...6561.68 ft (0...2000 m)
Storage altitude	0.00...9842.52 Ft (0...3000 m)

## Ordering and shipping details

Category	22533 - M2XX PLC & ACCESSORIES
Discount Schedule	MSX
GTIN	3606480611605
Nbr. of units in pkg.	1
Package weight(Lbs)	6.17 Oz (175 g)
Returnability	No
Country of origin	TW

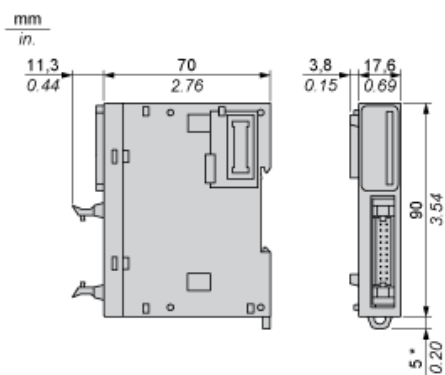
## Packing Units

Unit Type of Package 1	PCE
Package 1 Height	2.95 In (7.5 cm)
Package 1 width	4.13 In (10.5 cm)
Package 1 Length	4.92 In (12.5 cm)
Unit Type of Package 2	S02
Number of Units in Package 2	9
Package 2 Weight	17.39 Lb(US) (7.89 kg)
Package 2 Height	5.91 In (15 cm)
Package 2 width	11.81 In (30 cm)
Package 2 Length	15.75 In (40 cm)
Unit Type of Package 3	S04
Number of Units in Package 3	40
Package 3 Weight	17.39 Lb(US) (7.89 kg)
Package 3 Height	11.81 In (30 cm)
Package 3 width	15.75 In (40 cm)
Package 3 Length	23.62 In (60 cm)

## Offer Sustainability

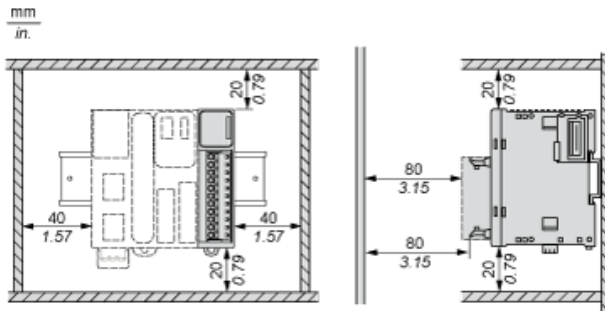
Sustainable offer status	Green Premium product
California proposition 65	WARNING: This product can expose you to chemicals including: Lead and lead compounds, which is known to the State of California to cause cancer and birth defects or other reproductive harm. For more information go to <a href="http://www.P65Warnings.ca.gov">www.P65Warnings.ca.gov</a>
REACH Regulation	<a href="#">REACH Declaration</a>
REACH free of SVHC	Yes
EU RoHS Directive	Pro-active compliance (Product out of EU RoHS legal scope) <a href="#">EU RoHS Declaration</a>
Toxic heavy metal free	Yes
Mercury free	Yes
RoHS exemption information	<a href="#">Yes</a>
China RoHS Regulation	<a href="#">China RoHS Declaration</a>
Environmental Disclosure	<a href="#">Product Environmental Profile</a>
Circularity Profile	<a href="#">End Of Life Information</a>
WEEE	The product must be disposed on European Union markets following specific waste collection and never end up in rubbish bins.
PVC free	Yes

Dimensions

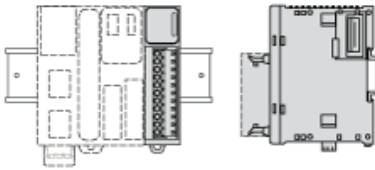


(\*) 8.5 mm/0.33 in. when the clamp is pulled out.

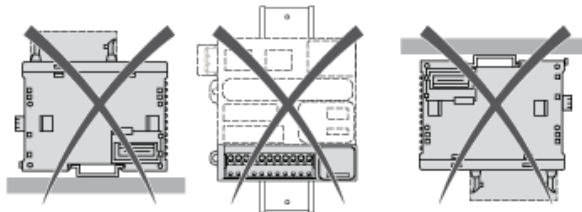
Spacing Requirements



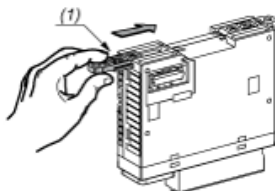
Mounting on a Rail



Incorrect Mounting

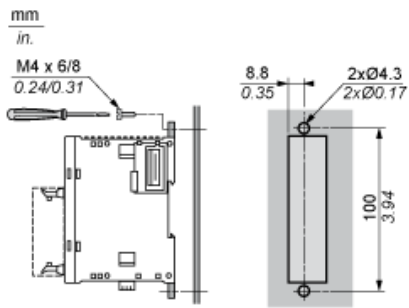


Mounting on a Panel Surface



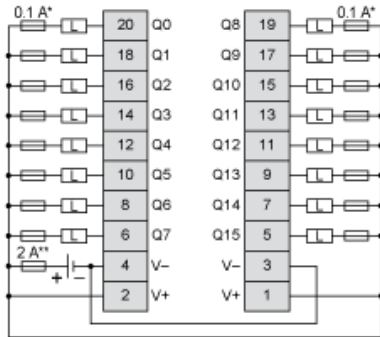
(1) Install a mounting strip

## Mounting Hole Layout



## Digital Transistor Output Module (16-channel, Sink)

### Wiring Diagram



- (\*) Type T Fuse
- (\*\*) Type F fuse

Product Life Status : **Commercialised**